

Seitenkanal-  
Vakuumpumpen

Side channel  
vacuum pumps

Turbine latérale  
vide

Pompe per vuoto  
a canali laterali

SAH

**BORA**

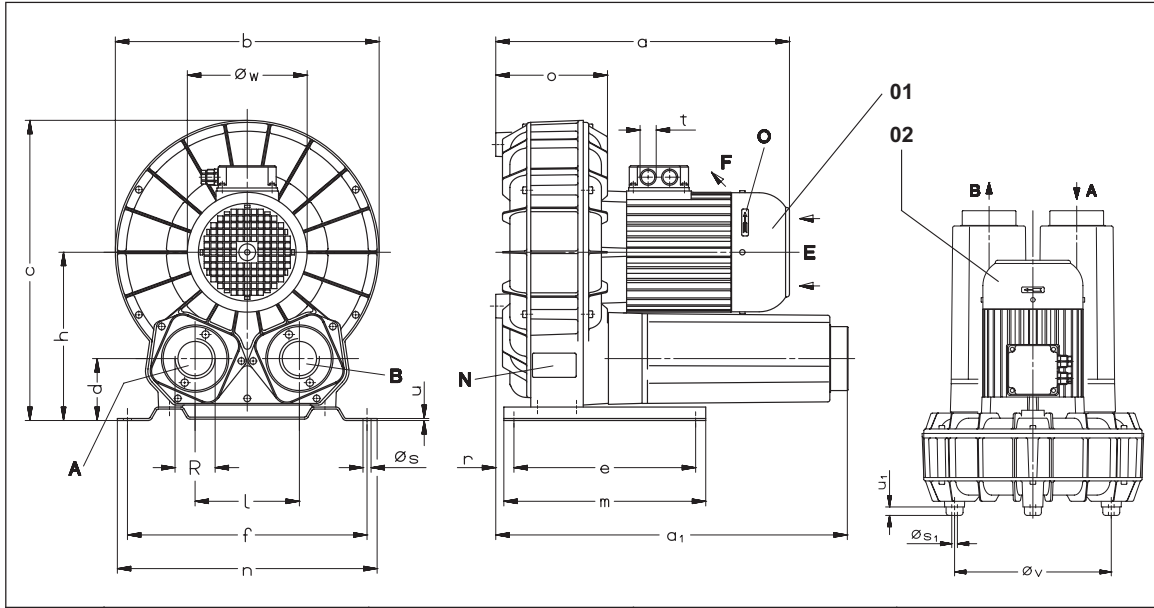
SAH 25

SAH 45

SAH 55

SAH 75

SAH 95



|    |                     |                        |                            |                                |
|----|---------------------|------------------------|----------------------------|--------------------------------|
| 01 | Normal-Ausführung   | Standard version       | Exécution standard         | Esecuzione standard            |
| 02 | Vertikal-Ausführung | Vertical version       | Exécution vertical         | Esecuzione verticale           |
| A  | Vakuum-Anschluß     | Vacuum connection      | Raccord du vide            | Attacco vuoto                  |
| B  | Abluft-Anschluß     | Exhaust air connection | Raccord air d'échappement  | Raccordo aria di scarico       |
| E  | Kühlluft-Eintritt   | Cooling air entry      | Entrée air refroidissement | Entrata aria di raffreddamento |
| F  | Kühlluft-Austritt   | Cooling air exit       | Sortie air refroidissement | Uscita aria di raffreddamento  |
| N  | Datenschild         | Data plate             | Etiquette caractéristique  | Targhetta dati                 |
| O  | Drehrichtungsschild | Direction of rotation  | Flèche sens rotation       | Targhetta senso rotazione      |

| SAH  |                      | 25  | 45         | 55         | 75         | 95         |         |            |     |            |
|------|----------------------|-----|------------|------------|------------|------------|---------|------------|-----|------------|
| [mm] | a                    | 3~  | 312        | 335        | 350        | 343        | 344     | 379        | 377 | 381        |
|      |                      | 1~  | 350        | 350        | 350        | 378        | #       | 379        | 377 | 416        |
|      | a <sub>1</sub>       |     | 337        | 375        | 375        | 388        |         | 389        |     | 445        |
|      | b                    |     | 238        | 255        | 255        | 286        |         | 282        |     | 336        |
|      | c                    |     | 269        | 298,5      | 298,5      | 324        |         | 322        |     | 385        |
|      | d / h                |     | 58 / 150   | 68 / 171   | 68 / 171   | 68 / 181   |         | 68 / 181   |     | 80 / 215   |
|      | e / f                |     | 220 / 226  | 220 / 226  | 220 / 226  | 220 / 226  |         | 220 / 226  |     | 270 / 275  |
|      | m / n                |     | 240 / 246  | 240 / 246  | 240 / 246  | 240 / 246  |         | 240 / 246  |     | 300 / 305  |
|      | l                    |     | 104        | 110        | 110        | 110        |         | 110        |     | 133        |
|      | o / r                |     | 117 / 37   | 127 / 24   | 141 / 15   | 142 / 16   |         | 142 / 16   |     | 141 / 23   |
|      | øv / øs <sub>1</sub> |     | 11 / M6    | 11 / M6    | 11 / M6    | 11 / M6    |         | 11 / M6    |     | 11 / M6    |
|      | t                    |     | M 20 x 1,5 | M 20 x 1,5 | M 20 x 1,5 | M 20 x 1,5 |         | M 20 x 1,5 |     | M 20 x 1,5 |
|      | u / u <sub>1</sub>   |     | 2 / 20     | 2 / 20     | 2 / 20     | 2 / 20     |         | 2 / 20     |     | 3 / 20     |
|      | øv                   |     | 190        | 204        | 230        | 230        |         | 230        |     | 280        |
| øw   |                      | 139 | 139        | 157        | 157        |            | 157     | 157        | 178 |            |
| R    |                      | G 1 | G 1 1/4    | G 1 1/2    | G 1 1/2    |            | G 1 1/2 |            | G 2 |            |

|          |       |          |          |          |          |          |       |        |
|----------|-------|----------|----------|----------|----------|----------|-------|--------|
| ZRK      |       | 25 (03)  | 32 (03)  | 40 (03)  | 40 (03)  | 50 (03)  |       |        |
| ZUV/ZBS  | 50 Hz | -        | ZUV 32   | ZBS 40   | ZBS 40   | ZBS 40   |       |        |
|          | 60 Hz | -        | ZUV 32   | ZBS 40   | ZBS 40   | ZBS 40   |       |        |
| ZVF      |       | 20 (74)  | 32 (73)  | 32 (74)  | 32 (74)  | 50 (73)  |       |        |
| ZGD      |       | 25 (06)  | 32 (06)  | 40 (06)  | 40 (06)  | 50 (06)  |       |        |
| ZFP      |       | 145 (06) | 216 (07) | 216 (06) | 216 (06) | 216 (01) |       |        |
| ZMS (3~) | 50 Hz | 25/16    | 25/16    | 40/25    | 40/25    | 63/40    | 63/40 | 100/63 |
|          | 60 Hz | 25/16    | 25/16    | 40/25    | 40/25    | 63/40    | 63/40 | 100/63 |
| ZMS (1~) | 50 Hz | 40       | 40       | 63       | 100      | #        | 100   | 100    |
|          | 60 Hz | 40       | 40       | 63       | 63       | #        | 100   | 100    |
| ZWS      |       | 61 (10)  | 61 (11)  | 61 (12)  | 61 (12)  | 83 (10)  |       |        |

|         |                            |                             |                             |                                    |
|---------|----------------------------|-----------------------------|-----------------------------|------------------------------------|
| ZRK     | Zubehör                    | Optional extras             | Accessoires                 | Accessori                          |
| ZUV/ZBS | Rückschlagventil           | Non-return valve            | Clapet anti-retour          | Valvola di non ritorno             |
| ZVF     | Saug-Begrenzungsventil     | Vacuum limitation valve     | Limiteur de dépression      | Valvola limitatrice di aspirazione |
| ZGD     | Vakuumdichter Ansaugfilter | Vacuum tight suction filter | Filtre d'aspiration étanche | Filtro aspirazione ermetico        |
| ZFP     | Zusätzlicher Schalldämpfer | Additional silencer         | Silencieux complémentaire   | Silenziatore supplementare         |
| ZMS     | Staubabscheider            | Dust separator              | Filtre séparateur           | Separatore polveri                 |
| ZMS     | Motorschutzschalter        | Motor starter               | Disjoncteur moteur          | Interruttore magnetotermico        |
| ZWS     | Wechselschaltung           | Change over valve           | Inverseur de débit          | Valvola di inversione              |

D 556/1

3.7.2000

**Werner Rietschle  
 GmbH + Co. KG**

Postfach 1260

79642 SCHOPFHEIM  
GERMANY

☎ 07622 / 392-0

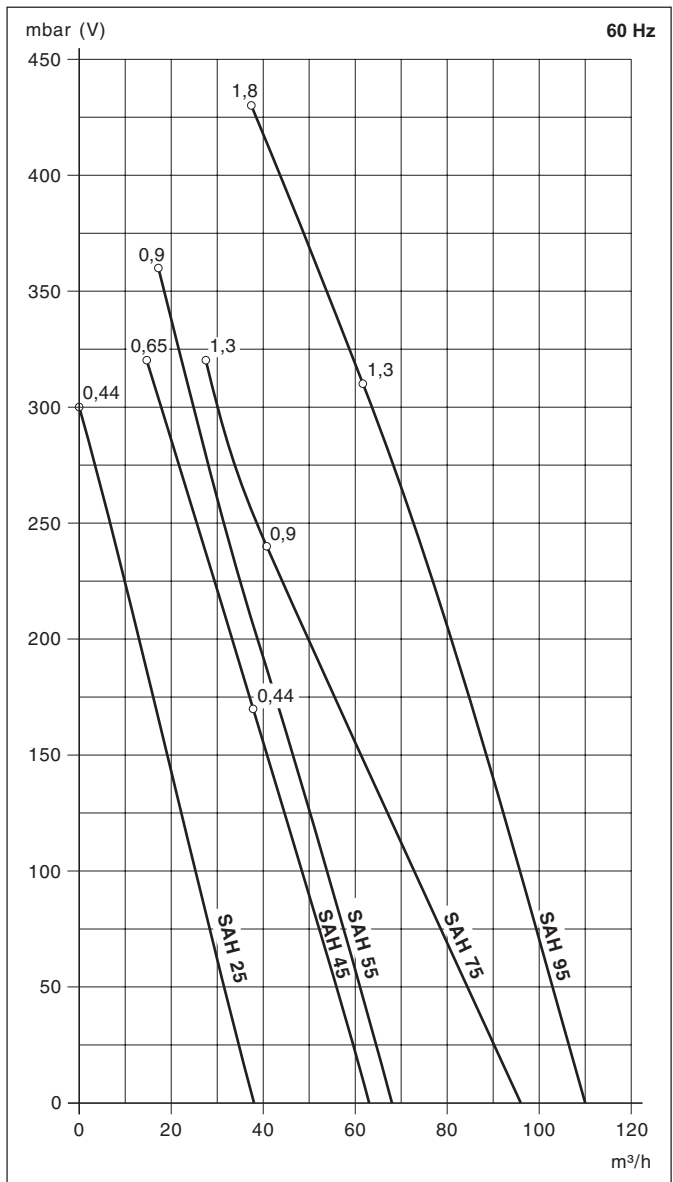
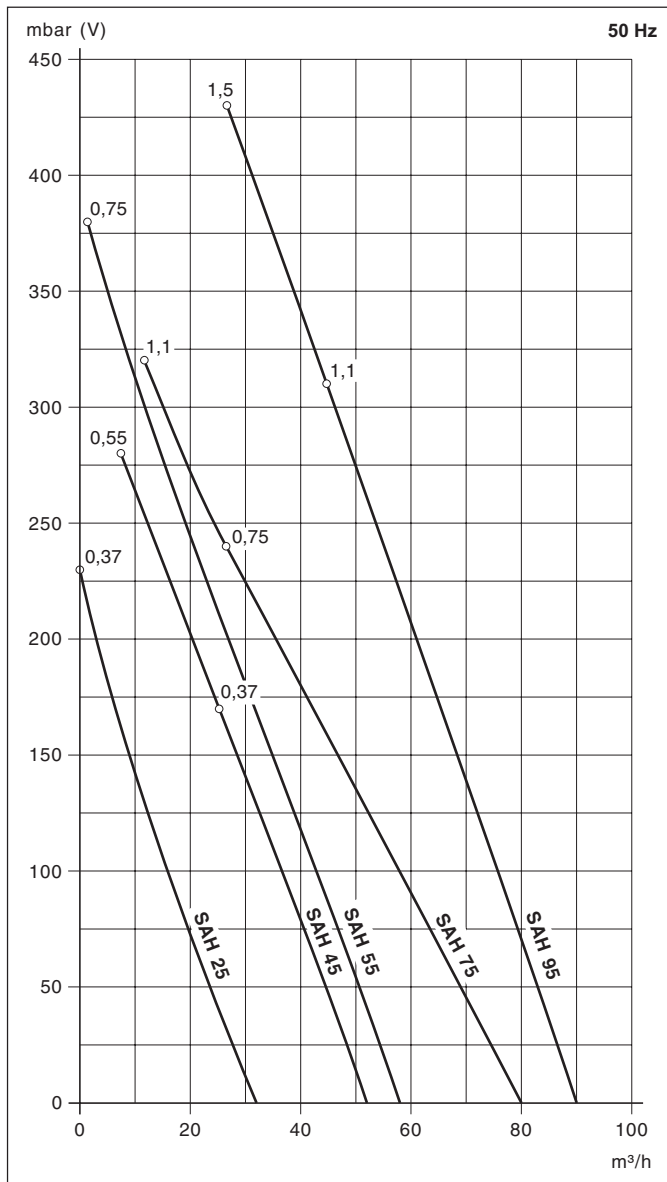
Fax 07622 / 392300

E-Mail: info@rietschle.com

http://www.rietschle.com

| SAH               |       | 25                    | 45       | 55       | 75      | 95      |         |         |         |
|-------------------|-------|-----------------------|----------|----------|---------|---------|---------|---------|---------|
| m <sup>3</sup> /h | 50 Hz | 32                    | 52       | 58       | 80      | 90      |         |         |         |
|                   | 60 Hz | 38                    | 63       | 68       | 96      | 110     |         |         |         |
| mbar (V)          | 50 Hz | 230                   | 170      | 280      | 240     | 310     | 320     | 430     |         |
|                   | 60 Hz | 300                   | 170      | 320      | 360     | 240     | 320     | 310     | 430     |
| 3~                | 50 Hz | 200-255/346-440V ± 5% |          |          |         |         |         |         |         |
|                   | 60 Hz | 200-277/346-480V ± 5% |          |          |         |         |         |         |         |
| 1~                | 50 Hz | 230V ± 10%            |          |          |         |         |         |         |         |
|                   | 60 Hz | 230V ± 10%            |          |          |         |         |         |         |         |
| kW                | 50 Hz | 0,37                  | 0,37     | 0,55     | 0,75    | 1,1     | 1,1     | 1,5     |         |
|                   | 60 Hz | 0,44                  | 0,44     | 0,65     | 0,90    | 0,90    | 1,3     | 1,8     |         |
| A (3~)            | 50 Hz | 2,1/1,20              | 2,1/1,20 | 3,0/1,70 | 4,0/2,3 | 4,0/2,3 | 5,7/3,3 | 5,7/3,3 | 8,7/5,0 |
|                   | 60 Hz | 2,1/1,20              | 2,1/1,20 | 3,46/2,0 | 4,0/2,3 | 4,0/2,3 | 6,1/3,5 | 5,7/3,3 | 7,7/4,5 |
| A (1~)            | 50 Hz | 3,0                   | 3,7      | 4,3      | 6,9     | 9,2     | 9,2     | #       | 9,5     |
|                   | 60 Hz | 3,0                   | 3,5      | 5,6      | 6,1     | 8,4     | 7,9     | #       | #       |
| min <sup>-1</sup> | 50 Hz | 2850                  |          |          |         |         |         |         |         |
|                   | 60 Hz | 3450                  |          |          |         |         |         |         |         |
| dB(A)             | 50 Hz | 57                    | 59       | 60       | 60      | 61      | 62      | 63      | 63,5    |
|                   | 60 Hz | 61                    | 62       | 63       | 63      | 63      | 64      | 67      | 67,5    |
| kg                | 3~    | 16                    | 18,5     | 19       | 23,5    | 25,5    | 26,5    | 31      | 34      |
|                   | 1~    | 16,5                  | 20       | 20       | 24,5    | #       | 26,5    | 31      | 34      |

|                   |  |   |   |   |
|-------------------|--|---|---|---|
| m <sup>3</sup> /h | Volumenstrom   | Capacity  | Volume engendré   | Portata volumetrica                                     |
| mbar              | Druckdifferenz   | Pressure difference                                     | Pression différentielle                                 | Differenza di pressione                                 |
| V                 | Vakuumbetrieb  | Vacuum operation  | Fonction dépression                                     | Esercizio in aspirazione                                |
| 3~/1~             | Motorausführung  | Motor version   | Exécution moteur  | Esecuzione motore                                       |
| kW                | Motorleistung  | Motor rating  | Puissance moteur  | Potenza motore  |
| A                 | Stromaufnahme  | Current drawn   | Intensité absorbée                                      | Corrente nominale                                       |
| min <sup>-1</sup> | Drehzahl   | Speed   | Vitesse rotation  | Numero giri   |
| dB(A) → DIN 45635 | Mittlerer Schalldruckpegel (Ausblasung über Schlauchleitung) | Average noise level (Discharge connected to a pipeline) | Niveau sonore moyen (Refoulement au travers d'un tuyau) | Rumorosità media (Scarico tramite tubazione flessibile) |
| kg                | Max. Gewicht   | Maximum weight  | Poids maxi.   | Peso massimo  |



Die Kennlinien (Toleranz ±10%) gelten für den Zustand im Saugstutzen bei 20°C und einem Gegendruck von 1 bar (abs.). / The curves have a tolerance of ±10% and are related to inlet conditions at 20°C and back pressure of 1 bar (abs.). / Les courbes (tolérance ±10%) sont établies pour de l'air aspiré à 20°C et une pression au refoulement de 1 bar (abs.). / Le curve caratteristiche (tolleranza ±10%) valgono per una temperatura di 20°C misurata alla bocca di aspirazione con una contropressione di 1 bar (ass.).

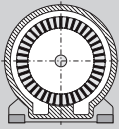
Technische Änderungen vorbehalten! / We reserve the right to alter technical information! / Sous réserve de modification technique! / Salvo modifiche tecniche!

# auf Anfrage

# on request

# sur demande

# a richiesta



Seitenkanal-  
Vakuumpumpen

Side channel  
vacuum pumps

Turbine latérale  
vide

Pompe per vuoto  
a canali laterali

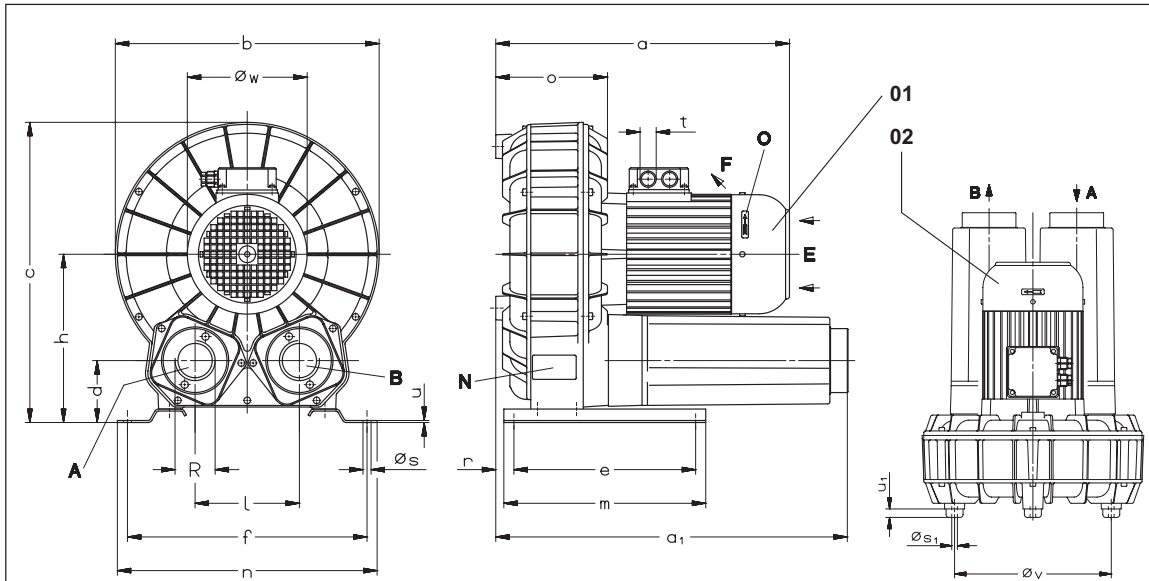
SAH

**BORA**

SAH 155

SAH 215

SAH 235



|    |                     |                        |                            |                                |
|----|---------------------|------------------------|----------------------------|--------------------------------|
| 01 | Normal-Ausführung   | Standard version       | Exécution standard         | Esecuzione standard            |
| 02 | Vertikal-Ausführung | Vertical version       | Exécution vertical         | Esecuzione verticale           |
| A  | Vakuum-Anschluß     | Vacuum connection      | Raccord du vide            | Attacco vuoto                  |
| B  | Abluft-Anschluß     | Exhaust air connection | Raccord air d'échappement  | Raccordo aria di scarico       |
| E  | Kühlluft-Eintritt   | Cooling air entry      | Entrée air refroidissement | Entrata aria di raffreddamento |
| F  | Kühlluft-Austritt   | Cooling air exit       | Sortie air refroidissement | Uscita aria di raffreddamento  |
| N  | Datenschild         | Data plate             | Etiquette caractéristique  | Targhetta dati                 |
| O  | Drehrichtungsschild | Direction of rotation  | Flèche sens rotation       | Targhetta senso rotazione      |

| SAH       | 155                              |            |   | 215        |   |            | 235        |   |  |
|-----------|----------------------------------|------------|---|------------|---|------------|------------|---|--|
| [mm]      | a                                | 441        | - | 470        | # | 470        | 621        | # |  |
|           | a <sub>1</sub>                   | 523        |   | 549        |   |            | 614        |   |  |
|           | b                                | 392        |   | 438        |   |            | 458        |   |  |
|           | c                                | 446        |   | 499        |   |            | 529        |   |  |
|           | d                                | 92         |   | 97         |   |            | 117        |   |  |
|           | e / f                            | 270 / 356  |   | 270 / 361  |   |            | 470 / 410  |   |  |
|           | h                                | 250        |   | 280        |   |            | 300        |   |  |
|           | m / n                            | 300 / 386  |   | 300 / 391  |   |            | 500 / 440  |   |  |
|           | l                                | 155        |   | 155        |   |            | 181        |   |  |
|           | o                                | 169        |   | 188        |   |            | 190        |   |  |
|           | r                                | 30         |   | 39         |   |            | 43         |   |  |
|           | ø <sub>s</sub> / ø <sub>s1</sub> | 11 / M8    |   | 11 / M8    |   |            | 11 / M 10  |   |  |
|           | t                                | M 20 x 1,5 |   | M 20 x 1,5 | # | M 20 x 1,5 | M 32 x 1,5 | # |  |
|           | u / u <sub>1</sub>               | 3 / 15     |   | 3 / 15     |   |            | 4 / 30     |   |  |
|           | ø <sub>v</sub>                   | 320        |   | 320        |   |            | 375        |   |  |
|           | ø <sub>w</sub>                   | 178        | - | 219        | # | 219        | 246        | # |  |
|           | R                                | G 2        |   | G 2        |   |            | G 3        |   |  |
| ZRK       | 50 (03)                          |            |   | 50 (03)    |   |            | 80 (03)    |   |  |
| ZUV / ZBS | 50 Hz                            | ZBS 40     | - | ZUV 32     | # | ZBS 65     | ZBS 65     | # |  |
|           | 60 Hz                            | ZBS 40     | - | ZUV 32     | # | ZBS 65     | ZBS 65     | # |  |
| ZVF       | 50 (73)                          |            |   | 50 (73)    |   |            | 65 (73)    |   |  |
| ZGD       | 50 (06)                          |            |   | 50 (06)    |   |            | 80 (06)    |   |  |
| ZFP       | 216 (01)                         |            |   | 216 (01)   |   |            | 216 (52)   |   |  |
| ZMS       | 50 Hz                            | 160 / 100  | - | 200 / 160  | # | 200 / 160  | 250 / 160  | # |  |
|           | 60 Hz                            | 160 / 100  | - | 200 / 160  | # | 200 / 160  | - / 160    | # |  |
| ZWS       | 83 (12)                          |            |   | 83 (12)    |   |            | 131 (10)   |   |  |

|         |                            |                             |                             |                                    |
|---------|----------------------------|-----------------------------|-----------------------------|------------------------------------|
| ZRK     | Zubehör                    | Optional extras             | Accessoires                 | Accessori                          |
| ZUV/ZBS | Rückschlagventil           | Non-return valve            | Clapet anti-retour          | Valvola di non ritorno             |
| ZVF     | Saug-Begrenzungsventil     | Vacuum limitation valve     | Limiteur de dépression      | Valvola limitatrice di aspirazione |
| ZGD     | Vakuumdichter Ansaugfilter | Vacuum tight suction filter | Filtre d'aspiration étanche | Filtro aspirazione ermetico        |
| ZFP     | Zusätzlicher Schalldämpfer | Additional silencer         | Silencieux complémentaire   | Silenziatore supplementare         |
| ZMS     | Staubabscheider            | Dust separator              | Filtre séparateur           | Separatore polveri                 |
| ZMS     | Motorschutzschalter        | Motor starter               | Disjoncteur moteur          | Interruttore magnetotermico        |
| ZWS     | Wechselschaltung           | Change over valve           | Inverseur de débit          | Valvola di inversione              |

D 556/2

3.7.2000

**Werner Rietschle  
GmbH + Co. KG**

Postfach 1260

79642 SCHOPFHEIM  
GERMANY

☎ 07622 / 392-0

Fax 07622 / 392300

E-Mail: info@rietschle.com

http://www.rietschle.com

Die Größen ab SAH / 5,5 kW haben zusätzlich einen Kühlventilator zwischen Motor und Gebläsegehäuse.

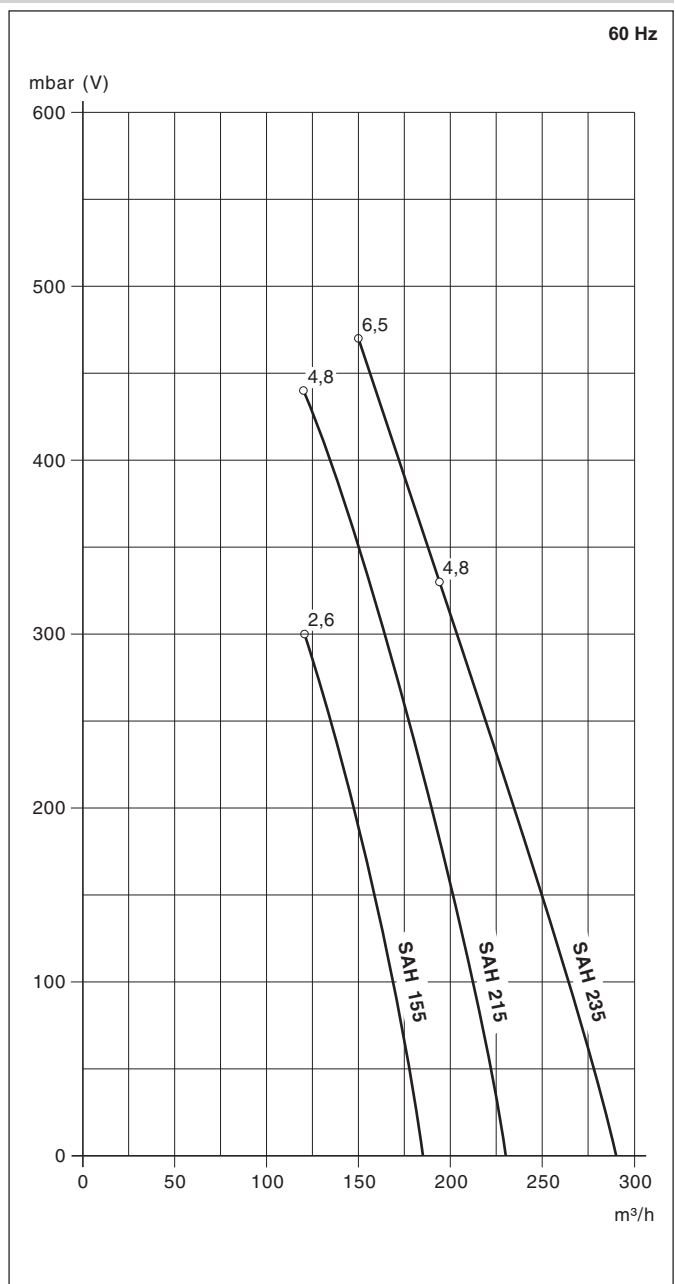
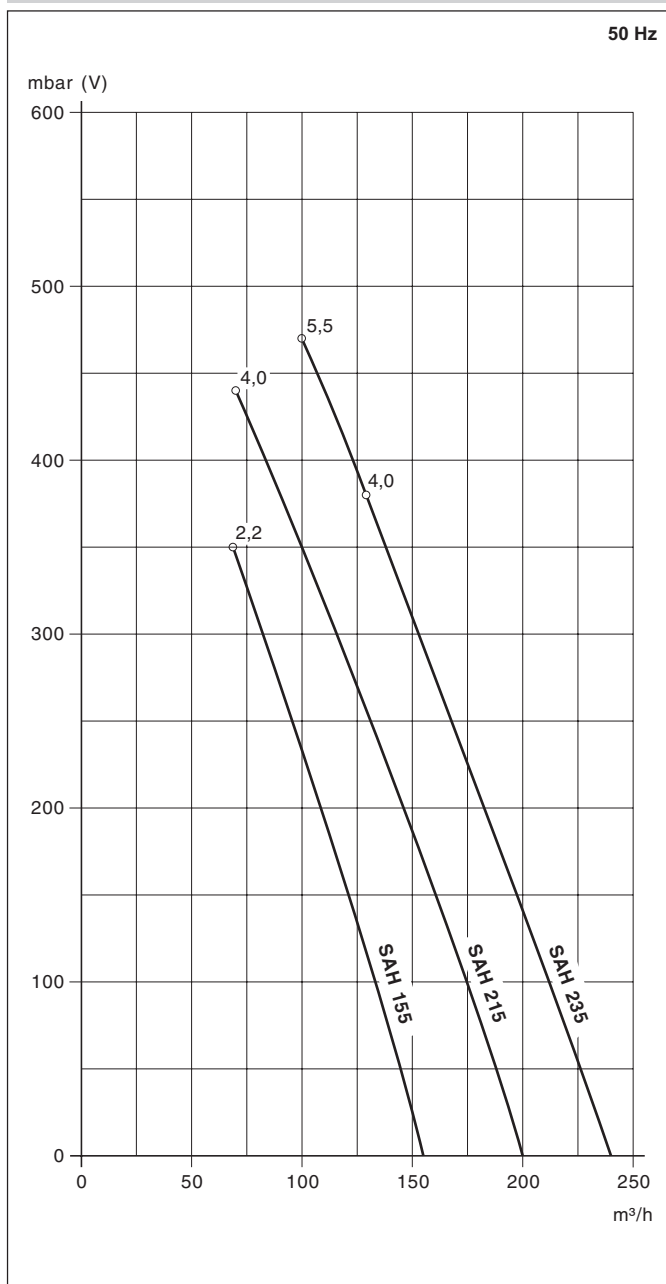
Models SAH / 5,5 kW and larger have an additional cooling fan situated between the motor and blower housing.

A partir de la SAH / 5,5 kW, un ventilateur complémentaire est inséré entre le moteur et le corps de la turbine.

Le grandezze a partire da SAH / 5,5 kW sono dotate di un ventilatore di raffreddamento supplementare fra il motore e il corpo della soffiante.

| SAH      |       | 155                   |   | 215       |     | 235       |           |     |
|----------|-------|-----------------------|---|-----------|-----|-----------|-----------|-----|
| m³/h     | 50 Hz | 155                   |   | 200       |     | 240       |           |     |
|          | 60 Hz | 185                   |   | 230       |     | 290       |           |     |
| mbar (V) | 50 Hz | 350                   | - | 440       | #   | 380       | 470       | #   |
|          | 60 Hz | 300                   | - | 440       | #   | 330       | 470       | #   |
| 3~       | 50 Hz | 200-255/346-440V ± 5% |   |           |     |           |           |     |
|          | 60 Hz | 200-277/346-480V ± 5% |   |           |     |           |           |     |
| kW       | 50 Hz | 2,2                   | - | 4,0       | 5,5 | 4,0       | 5,5       | 7,5 |
|          | 60 Hz | 2,6                   | - | 4,8       | 6,5 | 4,8       | 6,5       | 9,0 |
| A        | 50 Hz | 12,1/7,0              | - | 19,0/11,0 | #   | 19,0/11,0 | 23,5/13,5 | #   |
|          | 60 Hz | 11,3/6,5              | - | 19,0/11,0 | #   | 19,0/11,0 | 28,0/16,0 | #   |
| min⁻¹    | 50 Hz | 2850                  |   |           |     |           |           |     |
|          | 60 Hz | 3450                  |   |           |     |           |           |     |
| dB(A)    | 50 Hz | 69                    | - | 70        | #   | 71        | 72        | #   |
|          | 60 Hz | 73                    | - | 74        | #   | 75        | 75        | #   |
| kg       |       | 48                    | - | 65        | #   | 73,5      | 88        | #   |

|                   |   |  |  |  |
|-------------------|---|--|--|--|
| m³/h              | Volumenstrom  | Capacity   | Volume engendré  | Portata volumetrica  |
| mbar              | Druckdifferenz  | Pressure difference  | Pression différentielle                                    | Differenza di pressione                                    |
| V                 | Vakuumbetrieb   | Vacuum operation   | Fonction dépression  | Esercizio in aspirazione                                   |
| 3~                | Motorausführung   | Motor version  | Exécution moteur   | Esecuzione motore  |
| kW                | Motorleistung   | Motor rating   | Puissance moteur   | Potenza motore   |
| A                 | Stromaufnahme   | Current drawn  | Intensité absorbée   | Corrente nominale  |
| min⁻¹             | Drehzahl  | Speed  | Vitesse rotation   | Numero giri  |
| dB(A) → DIN 45635 | Mittlerer Schalldruckpegel<br>(Ausblasung über Schlauchleitung) | Average noise level<br>(Discharge connected to a pipeline) | Niveau sonore moyen<br>(Refoulement au travers d'un tuyau) | Rumorosità media<br>(Scarico tramite tubazione flessibile) |
| kg                | Max. Gewicht  | Maximum weight   | Poids maxi.  | Peso massimo   |



Die Kennlinien (Toleranz ±10%) gelten für den Zustand im Saugstutzen bei 20°C und einem Gegendruck von 1 bar (abs.)./ The curves have a tolerance of ±10% and are related to inlet conditions at 20°C and back pressure of 1 bar (abs.)./ Les courbes (tolérance ±10%) sont établies pour de l'air aspiré à 20°C et une pression au refoulement de 1 bar (abs.)./ Le curve caratteristiche (tolleranza ±10%) valgono per una temperatura di 20°C misurata alla bocca di aspirazione con una contropressione di 1 bar (ass.).

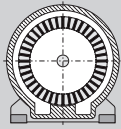
Technische Änderungen vorbehalten!// We reserve the right to alter technical information!// Sous réserve de modification technique!// Salvo modifiche tecniche!

# auf Anfrage

# on request

# sur demande

# a richiesta



Seitenkanal-  
Vakuumpumpen

Side channel  
vacuum pumps

Turbine latérale  
vide

Pompe per vuoto  
a canali laterali

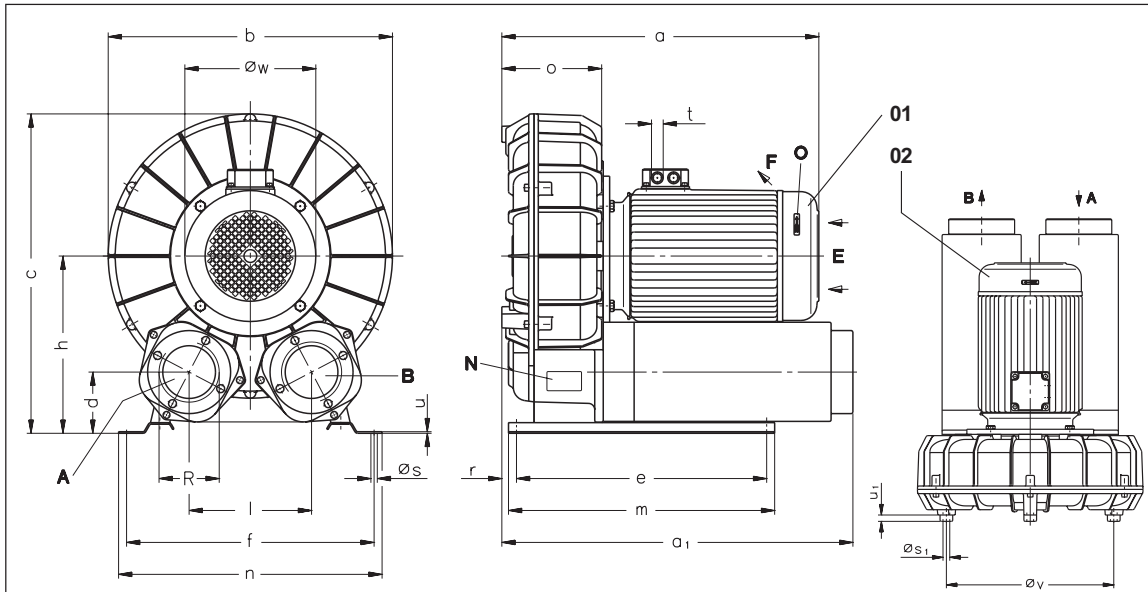
SAH

**BORA**

SAH 275

SAH 355

SAH 505



|    |                     |                        |                            |                                |
|----|---------------------|------------------------|----------------------------|--------------------------------|
| 01 | Normal-Ausführung   | Standard version       | Exécution standard         | Esecuzione standard            |
| 02 | Vertikal-Ausführung | Vertical version       | Exécution vertical         | Esecuzione verticale           |
| A  | Vakuum-Anschluß     | Vacuum connection      | Raccord du vide            | Attacco vuoto                  |
| B  | Abluft-Anschluß     | Exhaust air connection | Raccord air d'échappement  | Raccordo aria di scarico       |
| E  | Kühlluft-Eintritt   | Cooling air entry      | Entrée air refroidissement | Entrata aria di raffreddamento |
| F  | Kühlluft-Austritt   | Cooling air exit       | Sortie air refroidissement | Uscita aria di raffreddamento  |
| N  | Datenschild         | Data plate             | Etiquette caractéristique  | Targhetta dati                 |
| O  | Drehrichtungsschild | Direction of rotation  | Flèche sens rotation       | Targhetta senso rotazione      |

| SAH  | 275                              |            |            | 355 |            | 505 |            |   |
|------|----------------------------------|------------|------------|-----|------------|-----|------------|---|
| [mm] | a                                | 500        | 647        | 647 | 648        | -   | 670        | - |
|      | a <sub>1</sub>                   |            | 633        |     | 734        |     | 756        |   |
|      | b                                |            | 471        |     | 540        |     | 540        |   |
|      | c                                |            | 567        |     | 620        |     | 620        |   |
|      | d                                |            | 118        |     | 132        |     | 132        |   |
|      | e / f                            |            | 470 / 396  |     | 470 / 466  |     | 470 / 466  |   |
|      | h                                |            | 331        |     | 350        |     | 350        |   |
|      | m / n                            |            | 500 / 426  |     | 500 / 496  |     | 500 / 496  |   |
|      | l                                |            | 181        |     | 230        |     | 230        |   |
|      | o                                |            | 204        |     | 207        |     | 239        |   |
|      | r                                |            | 52         |     | 50         |     | 55         |   |
|      | ø <sub>s</sub> / ø <sub>s1</sub> |            | 11 / M 10  |     | 11 / M 10  |     | 11 / M 10  |   |
|      | t                                | M 20 x 1,5 | M 32 x 1,5 |     | M 32 x 1,5 | -   | M 32 x 1,5 | - |
|      | u / u <sub>1</sub>               |            | 4 / 30     |     | 4 / 25     |     | 4 / 25     |   |
|      | ø <sub>v</sub>                   |            | 392        |     | 457        |     | 457        |   |
|      | ø <sub>w</sub>                   | 219        | 246        | 246 | 246        | -   | 246        | - |
|      | R                                |            | G 3        |     | G 4        |     | G 4        |   |

|     |       |           |           |         |          |   |          |   |
|-----|-------|-----------|-----------|---------|----------|---|----------|---|
| ZRK |       | 80 (03)   |           |         | 100 (03) |   | 100 (03) |   |
| ZBS | 50 Hz | 65        |           |         | 65       | - | 80       | - |
|     | 60 Hz | 65        |           |         | 65       | - | 80       | - |
| ZVF |       | 65 (73)   |           |         | 100 (72) |   | 100 (72) |   |
| ZGD |       | 80 (06)   |           |         | 100 (06) |   | 100 (06) |   |
| ZFP |       | 216 (52)  |           |         | #        |   | -        |   |
| ZMS | 50 Hz | 200 / 160 | 250 / 160 | -       | - / 200  | - | - / -    | - |
|     | 60 Hz | 200 / 160 | - / 160   | - / 200 | - / 200  | - | - / -    | - |
| ZWS |       | 131 (10)  |           |         | -        |   | -        |   |

|     |                            |                             |                             |                                    |
|-----|----------------------------|-----------------------------|-----------------------------|------------------------------------|
| ZRK | Zubehör                    | Optional extras             | Accessoires                 | Accessori                          |
| ZBS | Rückschlagventil           | Non-return valve            | Clapet anti-retour          | Valvola di non ritorno             |
| ZVF | Saug-Begrenzungsventil     | Vacuum limitation valve     | Limiteur de dépression      | Valvola limitatrice di aspirazione |
| ZGD | Vakuumdichter Ansaugfilter | Vacuum tight suction filter | Filtre d'aspiration étanche | Filtro aspirazione ermetico        |
| ZFP | Zusätzlicher Schalldämpfer | Additional silencer         | Silencieux complémentaire   | Silenziatore supplementare         |
| ZMS | Staubabscheider            | Dust separator              | Filtre séparateur           | Separatore polveri                 |
| ZMS | Motorschutzschalter        | Motor starter               | Disjoncteur moteur          | Interruttore magnetotermico        |
| ZWS | Wechselschaltung           | Change over valve           | Inverseur de débit          | Valvola di inversione              |

D 556/3

3.7.2000

**Werner Rietschle GmbH + Co. KG**

Postfach 1260

79642 SCHOPFHEIM  
GERMANY

☎ 07622 / 392-0

Fax 07622 / 392300

E-Mail: info@rietschle.com

http://www.rietschle.com

Die Größen ab SAH / 5,5 kW haben zusätzlich einen Kühlventilator zwischen Motor und Gebläsegehäuse.

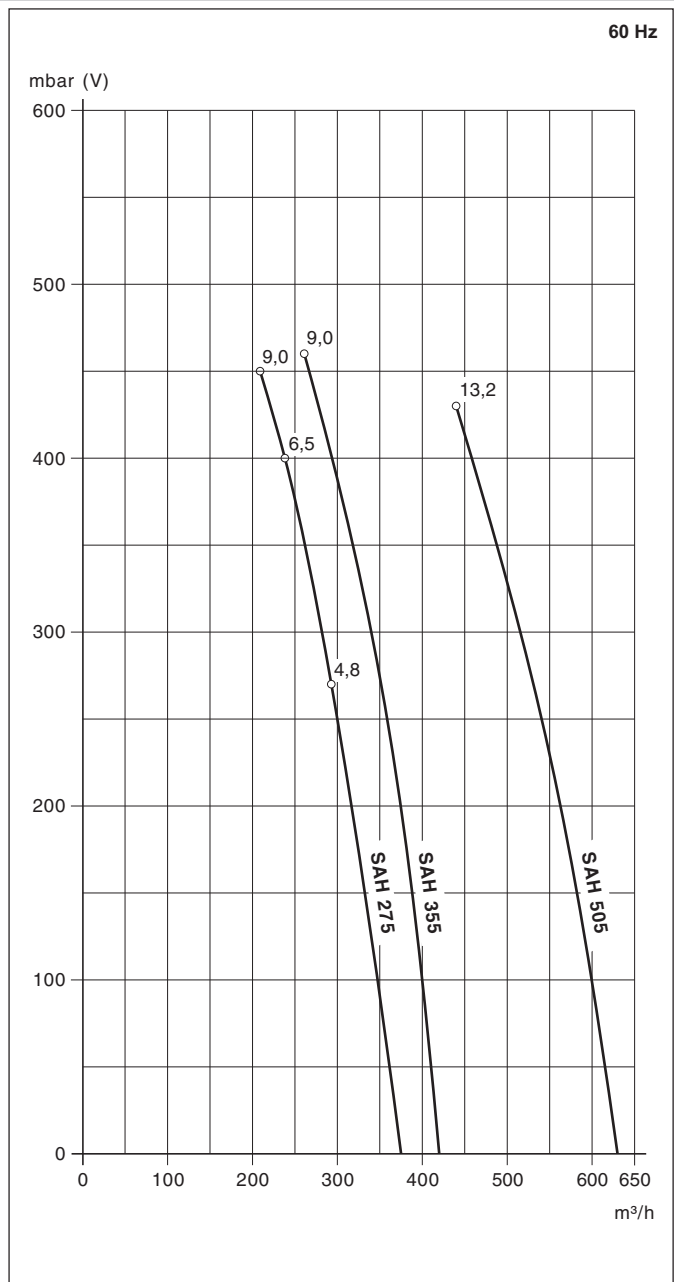
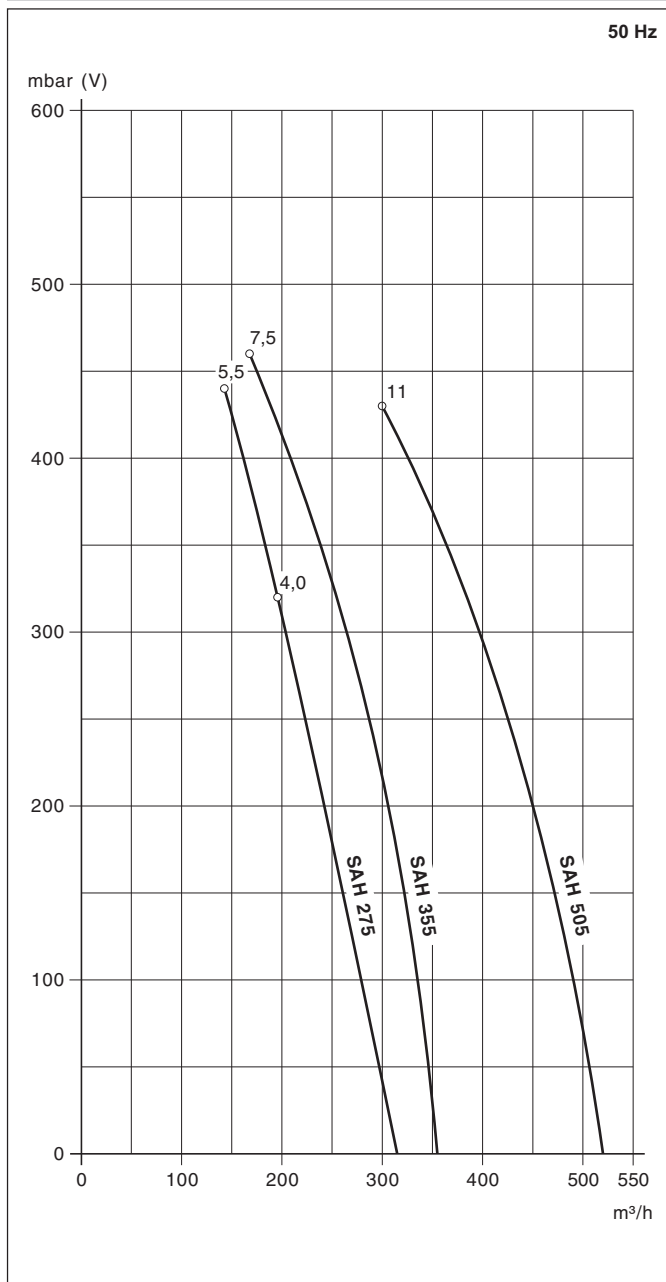
Models SAH / 5,5 kW and larger have an additional cooling fan situated between the motor and blower housing.

A partir de la SAH / 5,5 kW, un ventilateur complémentaire est inséré entre le moteur et le corps de la turbine.

Le grandezze a partire da SAH / 5,5 kW sono dotate di un ventilatore di raffreddamento supplementare fra il motore e il corpo della soffiante.

| SAH               |       | 275                   |           |           | 355       |   | 505       |   |
|-------------------|-------|-----------------------|-----------|-----------|-----------|---|-----------|---|
| m <sup>3</sup> /h | 50 Hz | 315                   |           |           | 355       |   | 520       |   |
|                   | 60 Hz | 375                   |           |           | 420       |   | 630       |   |
| mbar (V)          | 50 Hz | 320                   | 440       | -         | 460*      | - | 430       | - |
|                   | 60 Hz | 270                   | 400       | 450       | 460*      | - | 430       | - |
| 3~                | 50 Hz | 200-255/346-440V ± 5% |           |           |           |   |           |   |
|                   | 60 Hz | 200-277/346-480V ± 5% |           |           |           |   |           |   |
| kW                | 50 Hz | 4,0                   | 5,5       | -         | 7,5       | - | 11,0      | - |
|                   | 60 Hz | 4,8                   | 6,5       | 9,0       | 9,0       | - | 13,2      | - |
| A                 | 50 Hz | 19,0/11,0             | 23,5/13,5 | -         | 29,5/17,0 | - | 48,5/28,0 | - |
|                   | 60 Hz | 19,0/11,0             | 28,0/16,0 | 33,0/19,0 | 33,0/19,0 | - | 52,0/30,0 | - |
| min <sup>-1</sup> | 50 Hz | 2850                  |           |           |           |   |           |   |
|                   | 60 Hz | 3450                  |           |           |           |   |           |   |
| dB(A)             | 50 Hz | 73                    | 73,5      | -         | 75,5      | - | 79,0      | - |
|                   | 60 Hz | 77                    | 77,5      | 77,5      | 79,0      | - | 84,5      | - |
| kg                |       | 80                    | 106       | 110       | 131       | - | 142       | - |

|                   |   |  |  |  |
|-------------------|---|--|--|--|
| m <sup>3</sup> /h | Volumenstrom  | Capacity   | Volume engendré  | Portata volumetrica  |
| mbar              | Druckdifferenz  | Pressure difference  | Pression différentielle                                    | Differenza di pressione                                    |
| V                 | Vakuumbetrieb   | Vacuum operation   | Fonction dépression  | Esercizio in aspirazione                                   |
| 3~                | Motorausführung   | Motor version  | Exécution moteur   | Esecuzione motore  |
| kW                | Motorleistung   | Motor rating   | Puissance moteur   | Potenza motore   |
| A                 | Stromaufnahme   | Current drawn  | Intensité absorbée   | Corrente nominale  |
| min <sup>-1</sup> | Drehzahl  | Speed  | Vitesse rotation   | Numero giri  |
| dB(A) → DIN 45635 | Mittlerer Schalldruckpegel<br>(Ausblase über Schlauchleitung) | Average noise level<br>(Discharge connected to a pipeline) | Niveau sonore moyen<br>(Refoulement au travers d'un tuyau) | Rumorosità media<br>(Scarico tramite tubazione flessibile) |
| kg                | Max. Gewicht  | Maximum weight   | Poids maxi.  | Peso massimo   |



Die Kennlinien (Toleranz ±10%) gelten für den Zustand im Saugstutzen bei 20°C und einem Gegendruck von 1 bar (abs.)./ The curves have a tolerance of ±10% and are related to inlet conditions at 20°C and back pressure of 1 bar (abs.)./ Les courbes (tolérance ±10%) sont établies pour de l'air aspiré à 20°C et une pression au refoulement de 1 bar (abs.)./ Le curve caratteristiche (tolleranza ±10%) valgono per una temperatura di 20°C misurata alla bocca di aspirazione con una contropressione di 1 bar (ass.).

Technische Änderungen vorbehalten!// We reserve the right to alter technical information!// Sous réserve de modification technique!// Salvo modifiche tecniche!

# auf Anfrage/ on request/ sur demande/ a richiesta • nur bei horizontaler Ausführung/ only at horizontal configuration/ seul en horizontal exécution/ unico a orizzontale esecuzione