

G-BH2

Data sheet 2BH20780-2

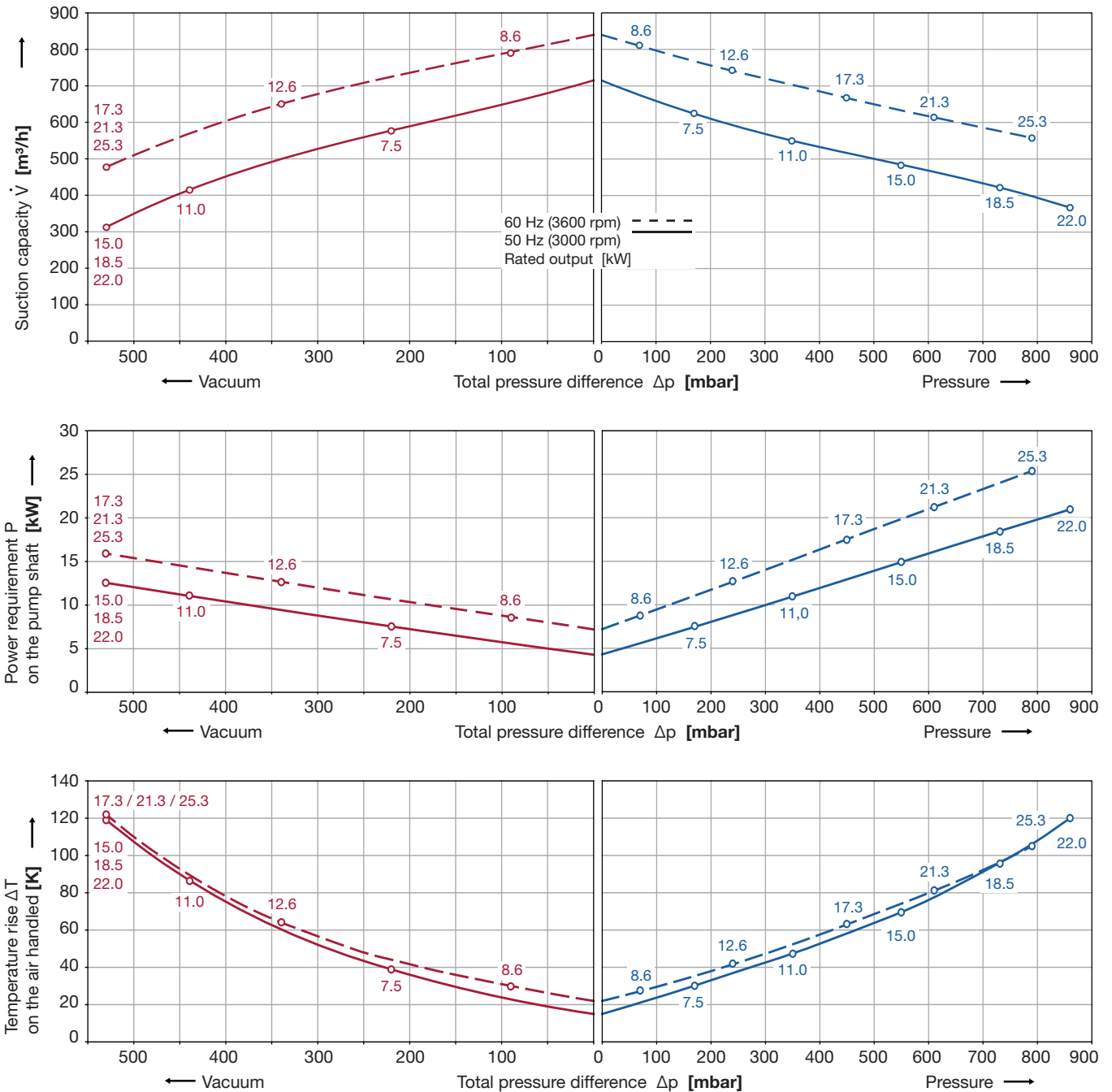
Side channel blower



Performance curves

Vacuum operation

Compressor operation



The performance curves are based on air at a temperature of 15 °C and an atmospheric pressure of 1013 mbar with a tolerance of $\pm 10\%$. The total pressure differences are valid for suction and ambient temperature up to 25 °C. For other conditions please confer with us.

Each 2BH2 type can be applied both as vacuum pump and compressor in continuous operation over the total stated performance curve range. The motors are available as standard in protection category IP 55 and isolation class F. The vacuum pumps/compressors are approved according to UL and CSA.

Selection and ordering data								Order-Nr.
Rated output	Fre- quency	Rated		max. diff. pressure ¹⁾		Sound- pressure level ²⁾	Weight ca.	
		voltage	current	vacuum	pressure			
kW	Hz	V	A	mbar	mbar	dB (A)	kg	
3~ 50/60 Hz, IP55, insulation class F, UL 507 and CSA 22.2 No. 13 (Certificate Number E225239)								
7.5	50	200 - 260 Δ / 350 - 450 Y	26.5 Δ / 15.3 Y	- 220	+ 170	73	171	2BH20780-2AAPN6-AA
8.6	60	230 - 290 Δ / 400 - 500 Y	26.0 Δ / 15.1 Y	- 90	+ 70	77	171	
11.0	50	200 - 260 Δ / 350 - 450 Y	38.5 Δ / 22.0 Y	- 440	+ 350	73	197	2BH20780-2AAP6-AA
12.6	60	230 - 290 Δ / 400 - 500 Y	37.5 Δ / 21.5 Y	- 340	+ 240	77	197	
15.0	50	200 - 260 Δ / 350 - 450 Y	52.0 Δ / 30.0 Y	- 530	+ 550	73	208	2BH20780-2AAPQ6-AA
17.3	60	230 - 290 Δ / 400 - 500 Y	52.0 Δ / 29.5 Y	- 530	+ 450	77	208	
18.5	50	200 - 260 Δ / 350 - 450 Y	64.0 Δ / 36.5 Y	- 530	+ 730	73	223	2BH20780-2AAPR6-AA
21.3	60	230 - 290 Δ / 400 - 500 Y	64.0 Δ / 36.5 Y	- 530	+ 610	77	223	
22.0	50	200 - 260 Δ / 350 - 450 Y	76.0 Δ / 43.0 Y	- 530	+ 860	73	261	2BH20780-2AAPS6-AA
24.5	60	230 - 290 Δ / 400 - 500 Y	73.0 Δ / 42.0 Y	- 530	+ 790	77	261	


1) Relief-valve are available for limiting differential pressure.

2) Measuring-surface sound-pressure level acc. to EN ISO 3744, measured on an equivalent unit at a distance of 1 m. The pump is throttled to an average suction pressure, with piping connected, but is not fitted with relief valves, tolerance ±3 dB (A).

All 2BH2 fulfil the directives 98/37/EC (machinery) and 2006/95/EC (low voltage) and the norm EN 60034-1 "Rotating electrical machines".

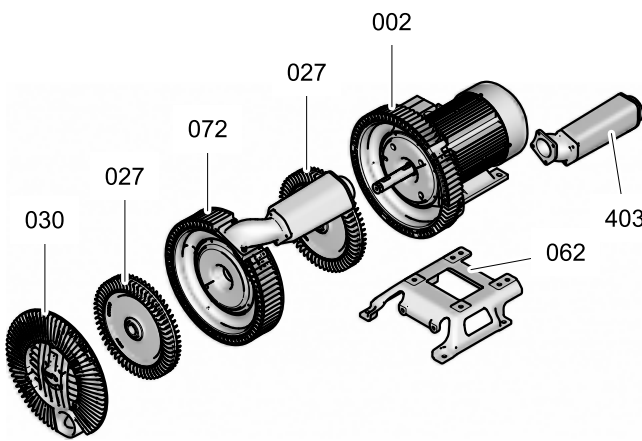
The motors are designed according to the EN 60034-1/IEC 60034-1 and temperature class F. Voltage tolerance ± 5%.

Mechanical maximum speed $n_{max} = 5000$ rpm (86 Hz).

Other voltages						
50 Hz (EFF I)	50 Hz voltage ranges	60 Hz voltage ranges 	86 Hz	100 Hz	2BH20780-2A <input type="checkbox"/> P. <input type="checkbox"/> -AA	
200 V Δ / 345 V Y 500 V Δ	180 - 240 V Δ / 310 - 415 V Y 450 - 550 V Δ	200 - 275 V Δ / 345 - 480 V Y 520 - 600 V Δ	----	400 V Δ		1
230 V Δ / 400 V Y	200 - 260 V Δ / 350 - 450 V Y	230 - 290 V Δ / 400 - 500 V Y	400 V Δ	----		5
400 V Δ / 690 V Y	350 - 450 V Δ / 610 - 725 V Y	400 - 500 V Δ	----	----		6
						7

standard A
suction port at cover B

Material list



No.	Description	Material
002	Blower housing	aluminum alloy
027	Impeller	aluminum alloy
030	Blower cover	aluminum alloy
062	Base	cast irons
072	Centre section	aluminum alloy
403	Silencer housing	aluminum alloy

Changes in particular the quoted performance curve, datas and weights without prior notice. The figures are without obligations.

Gardner Denver

Elmo Rietschle is a brand of the
Gardner Denver Blower Division

er.de@gardnerdenver.com
www.gd-elmorietschle.com

Gardner Denver Schopfheim GmbH

Roggenbachstraße 58
79650 Schopfheim - Germany

Tel.: +49 7622 392-0
Fax: +49 7622 392-400

Gardner Denver Deutschland GmbH

Industriestraße 26
97616 Bad Neustadt - Germany

Tel.: +49 9771 6888-0
Fax: +49 9771 6888-4000