



ZVM

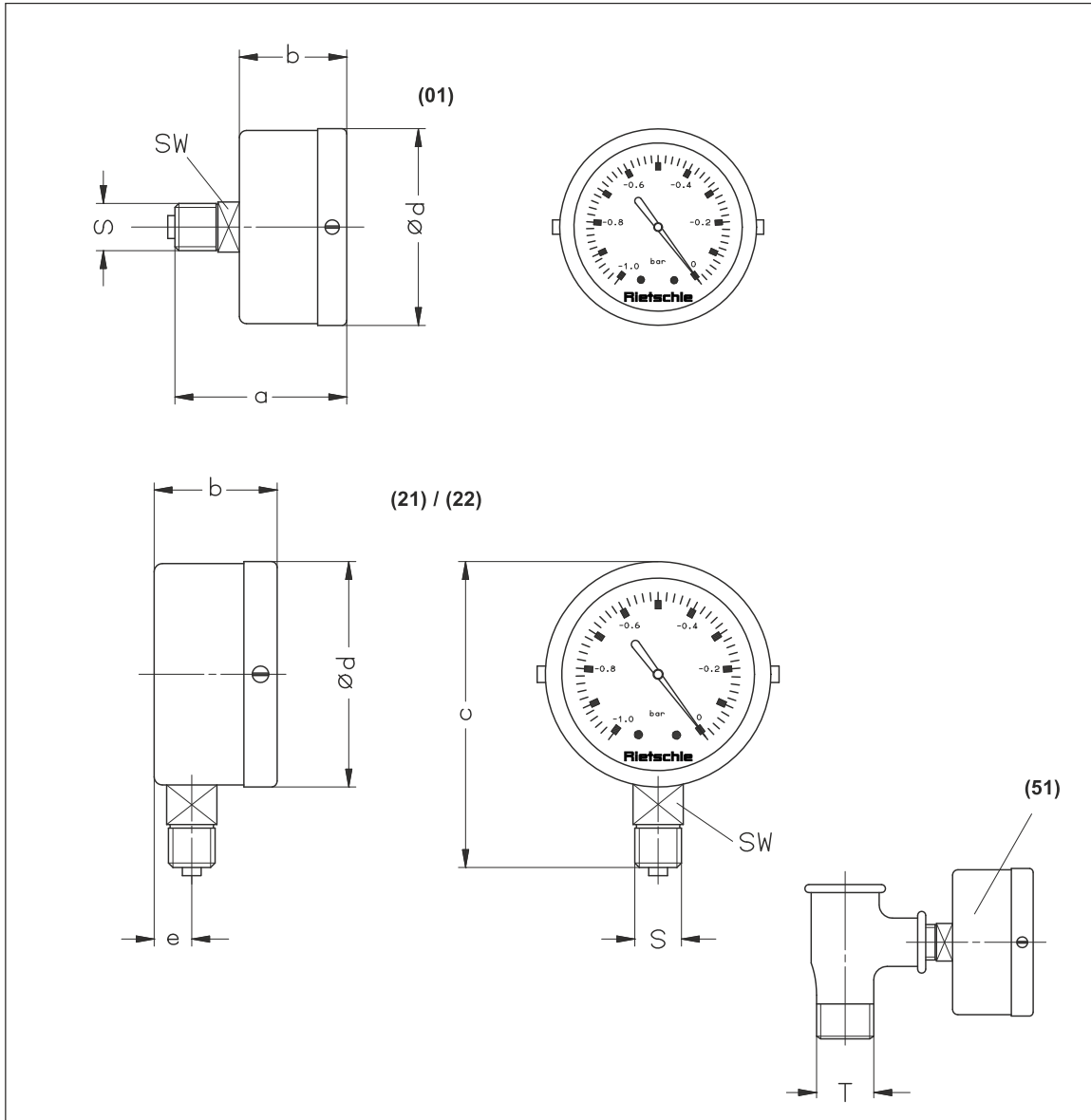
Accessories

Accesorios

Accessoires

Acessórios

- ZVM 6
- ZVM 8
- ZVM 12
- ZVM 13
- ZVM 20
- ZVM 25
- ZVM 32



ZVM	Vacuum gauge	Manómetro de vacío	Vacuomètre	Medidor de vá cuo
(22)	Fluid damped	Vaciado por fluido	Exé cution avec glycé rine	Fluido espirado
(51)	Configuration with accessories	Configuración con accesorios	Exé cution avec accessoires	Configuração com acessórios
SW	Wrench size	Tamaño o llave	Câe six pans	Tamanho da ligação

ZVM	S	[inches]							ZVM (51)		T
		a	b	c	ø d	e	SW				
8 (01)	730981	R 1/4	1.97	1.18	-	2.17	-	0.55	6	208345	R 1/8
8 (21)	730006	G 1/4	-	1.18	3.44	2.48	0.41	0.55	8	208346	R 1/4
8 (22)	730619	R 1/4	-	1.30	3.44	2.48	0.91	0.67	12	208347	R 3/8
13 (21)	730008	R 1/2	-	1.18	5.04	3.94	0.41	0.87	13	208348	R 1/2
13 (22)	730623	R 1/2	-	2.32	5.59	3.94	0.98	1.06	20	208349	R 3/4
									25	208350	R 1
									32	208351	R 1 1/4

G = straight thread, non-sealing

R = NPT self sealing

ZA 917

1.1.97

Rietschle Inc.

7222 Parkway Drive
Hanover, MD 21076 USA

☎ 4 10 - 7 12 - 4100

Fax 4 10 - 7 12 - 4148

E-Mail:
info@rietschlepumps.com

http://
www.rietschlepumps.com