



Accessories

Accesorios

Accessoires

Acessórios

ZVK

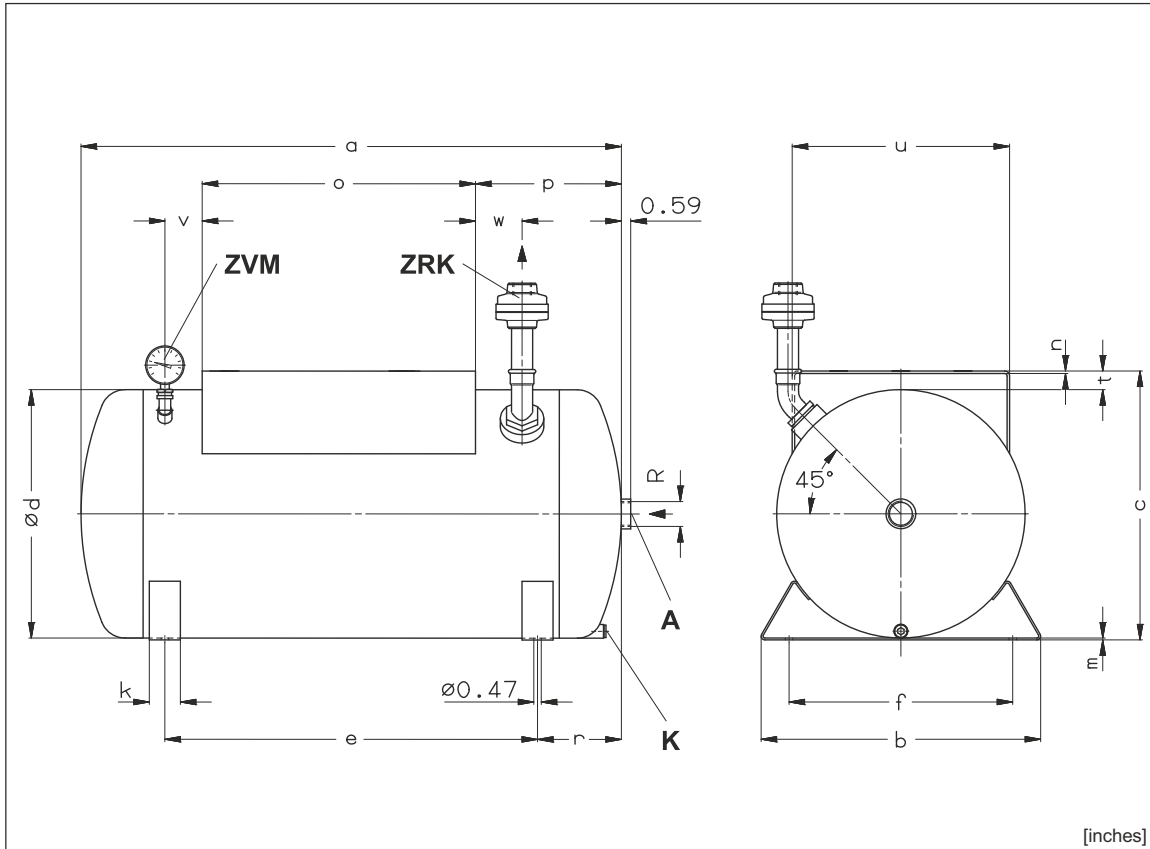
ZVK 50

ZVK 100

ZVK 250

ZVK 500

ZVK 1000



[inches]

ZVK	Vacuum receiver	Receptor de vacío	Ré servoir	Receptá culo de vá cuo
A	Vacuum connection	Conexión vacío	Raccord du vide	Conexão do vá cuo
K	Condensate drain	Drenaje condensación	Purge de condensat	Dreno de condensados
ZVM	Vacuum gauge	Manómetro de vacío	Vacuomètre	Medidor de vá cuo
ZRK	Non return valve	Vá lvula retención	Clapet anti-retour	Vá lvula sem retorno
I	Volume in liters	Volumen en litros	Volume en litres	Volume em litros

ZVK	I	R	[inches]						
			a	b	c	ød	e	f	k
50	50	G 1 ¹ / ₄	32.68	13.78	13.11	11.81	23.62	10.24	1.97
100	100	G 1 ¹ / ₂	34.25	17.72	17.05	15.75	23.62	14.17	1.97
250	250	G 1 ¹ / ₂	39.37	23.62	25.39	23.62	23.62	20.08	2.76
500	500	G 1 ¹ / ₂	62.99	25.59	27.36	25.59	43.31	22.05	2.76
1000	1000	G 1 ¹ / ₂	82.68	31.50	33.27	31.49	55.12	27.95	2.76

ZVK	[inches]								
	m	n	o	p	r	t	u	v	w
50	0.12	0.12	15.75	9.25	4.53	1.18	9.84	2.76	4.33
100	0.12	0.16	17.32	9.25	5.31	1.18	13.78	2.36	2.95
250	0.20	0.16	17.72	11.81	7.87	1.57	13.78	2.76	4.33
500	0.20	0.16	19.69	23.62	9.84	1.57	13.78	11.02	14.96
1000	0.20	0.16	19.69	31.50	13.78	1.57	13.78	21.65	20.47

G = straight thread, non-sealing

Made of carbon steel, finish painted externally, for vacuum to -1 bar./ Fabricado en acero al carbono, acabado externo pintado, para vacío de hasta -1 bar./ Exé cution en acier avec peinture exté rieure, pour des pressions diffé rentielles jusqu'à -1 bar./ Manufaturado em aço carbônico, acabamento externo de pintura, para vá cuos de até -1 bar.

ZA 919

1.2.98

Rietschle Inc.

7222 Parkway Drive

Hanover, MD 21076 USA

☎ 410-712-4100

Fax 410-712-4148

E-Mail:

info@rietschlepumps.com

http://

www.rietschlepumps.com