



Accessories

Accesorios

Accessoires

Acessórios

ZRV

ZRV 6

ZRV 12

ZRV 13

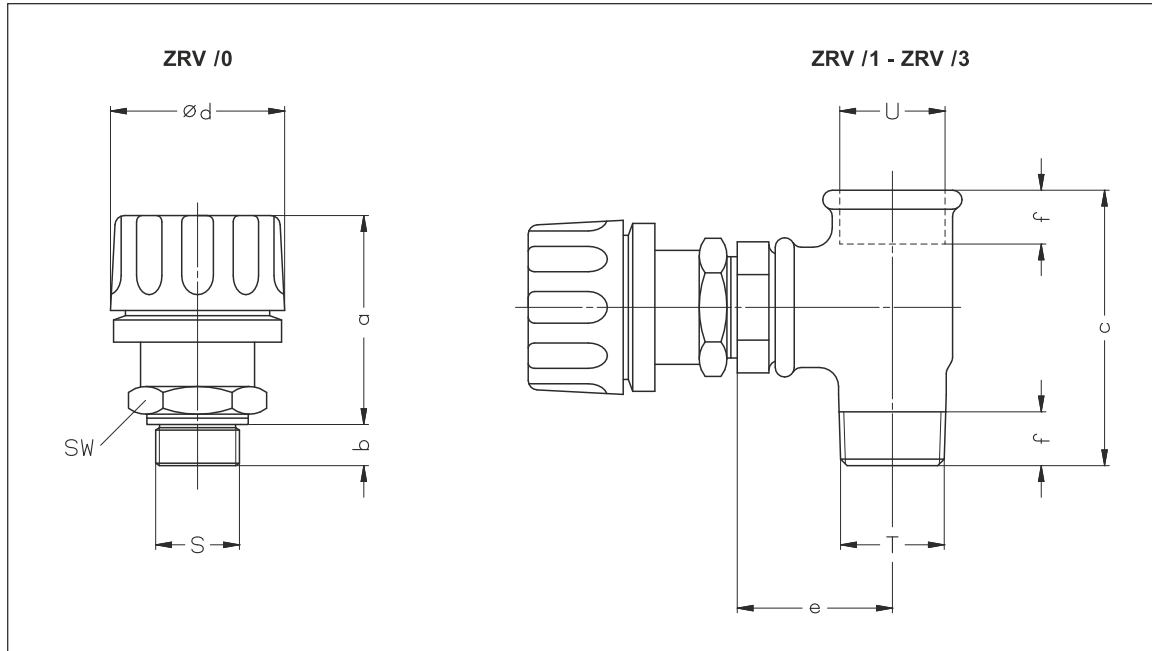
ZRV 20

ZRV 25

ZRV 50

ZRV 65

ZRV 80



ZRV (05)	Vacuum regulating valve Version with adjusting range to 28.5 in. Hg (gauge)	Válvula reguladora de vacío Versión con ajuste a 28.5 in. Hg (gauge)	Valve ré glage vide Exé cution àplage variable jusqu'à 28.5 in. Hg (gauge)	Válvula de regulagem do vácuo Versão com ajustamento do alcance a 28.5 in. Hg (gauge)
ZRV /0	Configuration without accessories	Configuración sin accesorios	Exé cution standard sans accessoires	Configuração sem acessórios
ZRV /1 – ZRV /3	Configuration with accessories	Configuración con accesorios	Exé cution avec accessoires	Configuração com acessórios
SW	Wrench size	Tamaño o llave	Câe six pans	Tamanho da ligação

ZRV	S	T	U	[inches]						SW	Part no. ZRV (05)
				a	b	c	ød	e	f		
6/0	G 1/8	-	-	1.3 - 1.5	0.28	-	0.75	-	-	0.51	201814-0000
12/0	G 3/8	-	-	1.7 - 1.9	0.24	-	1.34	-	-	0.94	202183-0000
12/1	G 3/8	R 3/8	Rp 3/8	1.7 - 1.9	0.24	2.20	1.34	0.94	0.39	0.94	202183-0100
13/0	G 1/2	-	-	1.8 - 1.9	0.39	-	1.65	-	-	1.26	208745-0000
13/1	-	R 1/2	Rp 1/2	1.8 - 1.9	0.39	2.52	1.65	1.06	0.51	1.26	208745-0100
13/2	-	R 3/4	Rp 3/4	1.8 - 1.9	0.39	2.95	1.65	1.69	0.59	1.26	208745-0200
20/0	G 3/4	-	-	2.2 - 2.6	0.51	-	2.17	-	-	1.61	200609-0000
20/1	-	R 1	Rp 1	2.2 - 2.6	0.51	3.43	2.17	1.93	0.67	1.61	200609-0100
25/0	G 1	-	-	2.6 - 3.3	0.51	-	2.76	-	-	2.17	202228-0000
25/1	-	R 1 1/4	Rp 1 1/4	2.6 - 3.3	0.51	4.06	2.76	2.24	0.75	2.17	202228-0100
25/2	-	R 1 1/2	Rp 1 1/2	2.6 - 3.3	0.51	4.53	2.76	2.44	0.75	2.17	202228-0200
25/3	-	R 2	Rp 2	2.6 - 3.3	0.51	5.04	2.76	2.76	0.94	2.17	202228-0300
50/0	G 2	-	-	3.15	0.75	-	2.91	-	-	-	204222-0000
50/1	-	R 2 1/2	Rp 2 1/2	3.15	0.75	7.32	2.91	3.23	1.06	-	204222-0100
50/2	-	R 3	Rp 3	3.15	0.75	8.23	2.91	3.62	1.18	-	204222-0200
65/0	G 2 1/2	-	-	3.15	0.75	-	2.91	-	-	-	206739-0000
80/0	G 3	-	-	3.15	0.75	-	2.91	-	-	-	206740-0000

G = straight thread, non-sealing

R = NPT self sealing

Rp = accepts R thread

The vacuum regulating valves ZRV (05) shown have an adjusting range to 28.44 in. Hg (gauge). Other adjusting ranges on request! / Las válvulas reguladoras de vacío ZRV(05) ilustradas tienen un ajuste de 28.44 in. Hg (gauge). Se pueden solicitar otros ajustes. / Les valves de ré glage vide pré senté es ZRV (05) ont une plage variable jusqu' à 28.44 in. Hg (gauge). Autres plages variables sur demande! / As válvulas de regulagem do vá cuo ZRV (05) indicadas têm uma alcance de ajustamento de 28.44 in. Hg (gauge). Outros alcances de ajustamento a pedido.

ZA 907

3.9.94

Rietschle Inc.

7222 Parkway Drive
Hanover, MD 21076 USA

☎ 410-712-4100

Fax 410-712-4148

E-Mail:

info@rietschlepumps.com

http://

www.rietschlepumps.com