



Zubehör

Accessories

Accessoires

Accessori

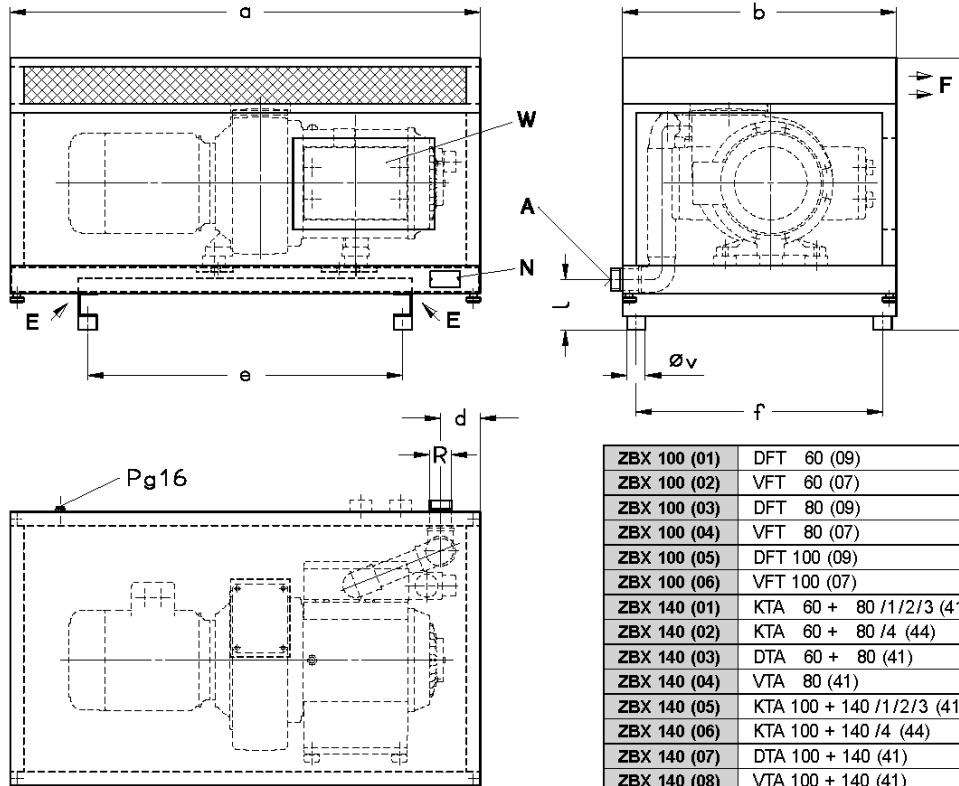
## ZBX

ZBX 100

ZBX 140

ZBX 250

ZBX 500



ZBX 100 (01)	DFT 60 (09)
ZBX 100 (02)	VFT 60 (07)
ZBX 100 (03)	DFT 80 (09)
ZBX 100 (04)	VFT 80 (07)
ZBX 100 (05)	DFT 100 (09)
ZBX 100 (06)	VFT 100 (07)
ZBX 140 (01)	KTA 60 + 80 /1/2/3 (41)
ZBX 140 (02)	KTA 60 + 80 /4 (44)
ZBX 140 (03)	DTA 60 + 80 (41)
ZBX 140 (04)	VTA 80 (41)
ZBX 140 (05)	KTA 100 + 140 /1/2/3 (41)
ZBX 140 (06)	KTA 100 + 140 /4 (44)
ZBX 140 (07)	DTA 100 + 140 (41)
ZBX 140 (08)	VTA 100 + 140 (41)
ZBX 250 (01)	DFT 140 (09)
ZBX 250 (02)	VFT 140 (07)
ZBX 250 (03)	DFT 180 (09) / DTB 180 (32)
ZBX 250 (04)	VFT 180 (07) / VTB 180 (31)
ZBX 250 (05)	DFT 250 (09) / DTB 250 (32)
ZBX 250 (06)	VFT 250 (07) / VTB 250 (31)
ZBX 500 (01)	DFT 340 (09) / DTB 340 (32)
ZBX 500 (02)	VFT 340 (07) / VTB 340 (31)
ZBX 500 (03)	DFT 500 (09) / DTB 500 (32)
ZBX 500 (04)	VFT 500 (07) / VTB 500 (31)

ZBX	Schallbox Druck-Anschluss oder Vakuum-Anschluss	Acoustic enclosure Pressure connection or vacuum connection	Caisson insonorisant Raccord surpression ou raccord du vide	Box insonorizzante Attacco pressione o attacco vuoto
A	Kühlluft-Eintritt und Ansaugung	Cooling air entry and suction	Entrée air refroidissement et aspiration	Entrata aria di raffreddam. e aspirazione
E	Kühlluft-Austritt und Abluft-Austritt	Cooling air exit and exhaust	Sortie air refroidissement et refoulement	Uscita aria di raffreddam. e scarico aria
F	Datenschild	Data plate	Etiquette caractéristique	Targhetta dati
N	Wartungsdeckel	Maintenance cover	Couvercle maintenance	Coperchio manutenzione

ZBX	R	[mm]								kg
		a	b	c	d	e	f	l	Øv	
100	R 1 1/2	1030	600	596	87	690	540	110	40	62
140	R 1 1/4	1200	580	690	80 / 220 / 300	900	500	105	40	82
250	R 2	1580	770	887	130	1100	630	120	75	120
500	R 3	1920	980	1126	150	1300	840	160	100	235

Diese Schallboxen bewirken eine Schallreduzierung von mindestens 10 dB(A). / These sound reducing enclosures reduce the noise level by at least 10 dB(A). / Ce caisson insonorisant permet d'abaisser le niveau sonore d'au moins 10 dB(A). / Questi box riducono la rumorosità di almeno 10 dB(A).

Z 916

1.2.2000

**Werner Rietschle  
GmbH + Co. KG**

Postfach 1260

79642 SCHOPFHEIM  
GERMANY

☎ 07622 / 392-0

Fax 07622 / 392300

E-Mail: [info@rietschle.com](mailto:info@rietschle.com)

<http://www.rietschle.com>