



Accessories

Accesorios

Accessoires

Acessórios

ZBX

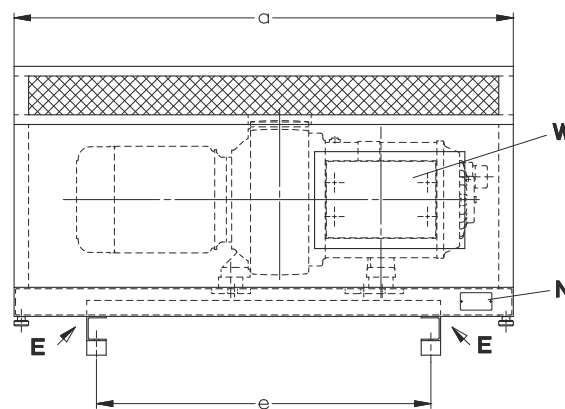
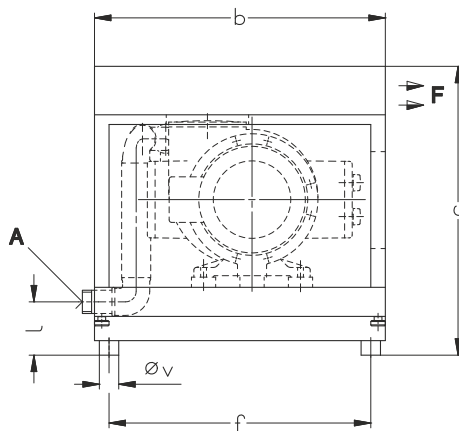
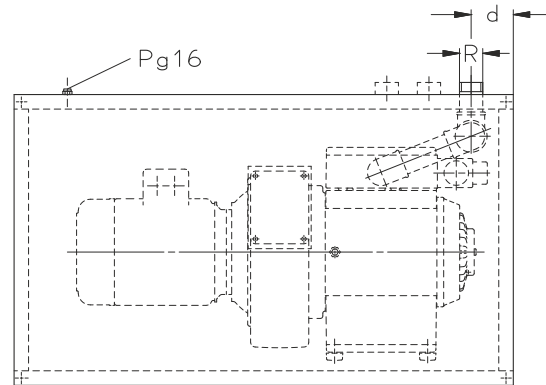
ZBX 100

ZBX 140

ZBX 250

ZBX 500

ZBX 100 (01)	DFT 60 (09)
ZBX 100 (02)	VFT 60 (07)
ZBX 100 (03)	DFT 80 (09)
ZBX 100 (04)	VFT 80 (07)
ZBX 100 (05)	DFT 100 (09)
ZBX 100 (06)	VFT 100 (07)
ZBX 140 (01)	KTA 60 + 80 / 1/2/3 (41)
ZBX 140 (02)	KTA 60 + 80 / 4 (44)
ZBX 140 (03)	DTA 60 + 80 (41)
ZBX 140 (04)	VTA 80 (41)
ZBX 140 (05)	KTA 100 + 140 / 1/2/3 (41)
ZBX 140 (06)	KTA 100 + 140 / 4 (44)
ZBX 140 (07)	DTA 100 + 140 (41)
ZBX 140 (08)	VTA 100 + 140 (41)
ZBX 250 (01)	DFT 140 (09)
ZBX 250 (02)	VFT 140 (07)
ZBX 250 (03)	DFT 180 (09) / DTB 180 (32)
ZBX 250 (04)	VFT 180 (07) / VTB 180 (31)
ZBX 250 (05)	DFT 250 (09) / DTB 250 (32)
ZBX 250 (06)	VFT 250 (07) / VTB 250 (31)
ZBX 500 (01)	DFT 340 (09) / DTB 340 (32)
ZBX 500 (02)	VFT 340 (07) / VTB 340 (31)
ZBX 500 (03)	DFT 500 (09) / DTB 500 (32)
ZBX 500 (04)	VFT 500 (07) / VTB 500 (31)



ZBX	Sound box	Caja de sonido	Caisson insonorisant	Canôfia
A	Pressure connection or vacuum connection	Conexión presión o conexión vacío	Raccord surpression ou raccord du vide	Conexão da pressão ou conexão do vácuo
E	Cooling air entry and suction	Entrada aire refrigerante y succión	Entré e air refroidissement et aspiration	Entrada do ar refrigerante e sucção
F	Cooling air exit and exhaust	Salida aire refrigerante y escape	Sortie air refroidissement et refoulement	Saída do ar refrigerante e exaustão
N	Data plate	Placa fecha	Etiquette caractéristique	Placa da data
W	Maintenance cover	Tapas del mantenimiento	Couvercle maintenance	Tampa do manutenção

ZBX	R	[inches]								lbs
		a	b	c	d	e	f	l	Øv	
100	R 1 1/2	40.55	23.62	23.46	3.43	27.17	21.26	4.33	1.57	137
140	R 1 1/4	47.24	22.84	27.17	3.15 / 8.66 / 11.81	35.43	19.69	4.13	1.57	181
250	R 2	57.09	30.31	34.92	5.12	38.19	24.80	4.72	2.96	265
500	R 3	75.59	38.58	44.33	5.91	51.18	33.07	6.30	3.94	518

G = straight thread, non-sealing

These sound boxes reduce the noise level by at least 10 dB(A). / Esta caja de sonido reduce el nivel de ruido a un mínimo de 10 dB(A). / Ce caisson insonorisant permet d'abaisser le niveau sonore d'au moins 10 dB(A). / A canôfia reduz o nível de ruído pelo menos em 10 dB(A).

ZA 916

1.2.2000

Rietschle Inc.

7222 Parkway Drive

Hanover, MD 21076 USA

☎ 4 10 - 7 12 - 4100

Fax 4 10 - 7 12 - 4148

E-Mail:

info@rietschlepumps.com

http://

www.rietschlepumps.com